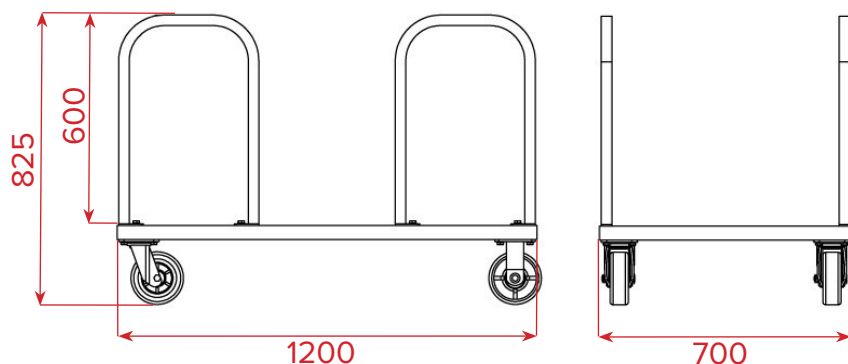


Hockey trolley for rebound board - Structure in steel  
Can be used for transporting hockey sideboards.



Height	Width	Length	Weight	Material	Color
0.83m	0.70m	1.20m	27kg	Steel	Dark grey powder-coated

### STRENGTHS



1. Large wheels to avoid damaging the turf
2. 2 handles on each sides allowing an easy transportation when it's fully loaded
3. Capable of carrying an entire hockey field lateral bands (up to 300kg)

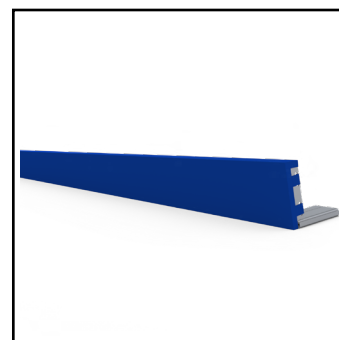
### RELATED PRODUCTS



**S22321** - Indoor field hockey sideboards. Structure made of wood with a steel core.



**S22331** - Indoor field hockey sideboards. Structure made of wood with an aluminium core.



**S28301** - Hockey rebound board